

CLEANING OF DRIP ELIMINATOR ECOSS STAINLESS STEEL EVAPORATIVE CONDENSER

The drip eliminators contribute to a better distribution of water in the evaporative condenser, and obtain an efficient heat exchange. It is essential to perform the periodic cleaning of the drip eliminators and spray nozzles.

For cleaning, the pistons allow the fans to remain open providing safety for operators in performing the cleaning and maintenance procedure. This technology was designed to facilitate operators' access for cleaning the drip eliminators and nozzles and sprays of the water distribution system. The ECOSS fans allow 45° opening for access to the drip eliminators and water distribution system.

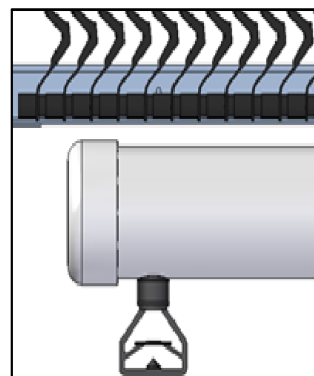
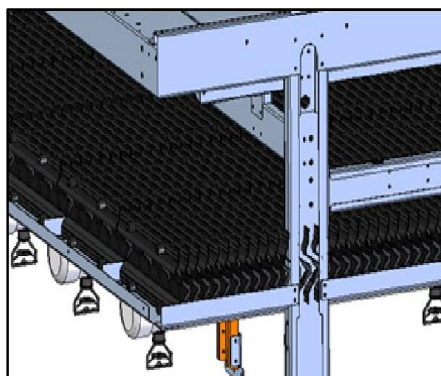
GUIDELINES

- Use the 13mm-socket wrench from the ECOSS kit and remove the screws and store them until the cleaning process is complete.
- Open the fans to gain access to the drip eliminators and water distribution system.



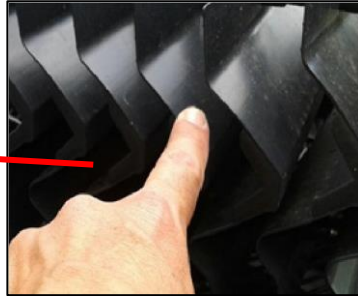
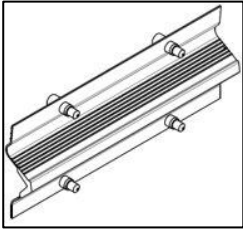
POSITIONING OF DRIP ELIMINATORS

Check the correct position of the drip eliminators, they should all be positioned evenly and with the relief side down.



Two types of drip eliminators are used in the evaporative condenser, TAP 400 and TAPS 11, the two drip eliminators have the same purpose and efficiency, the difference is the assembly, described by the visual aid.

Drip Eliminator TAP 400

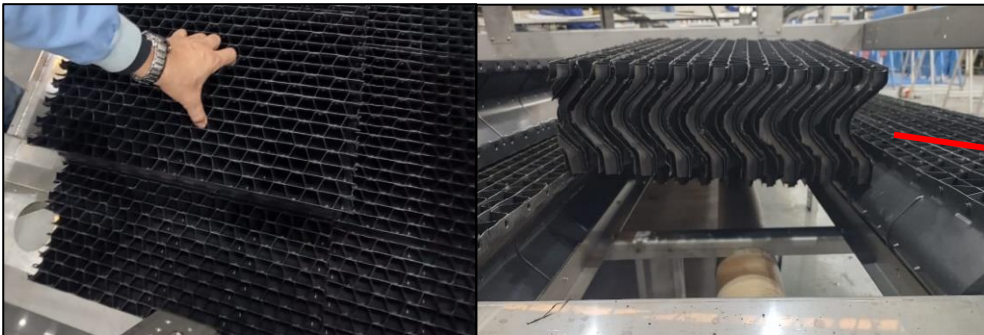


Top side



Bottom side

Drip eliminator TAPS 11



Thicker side down

BT-011/2/ENG/10.2021

After cleaning the drip eliminators and cleaning the spray nozzles:

- Re-install the drip eliminators, making sure they are in the correct position and not allowing gaps between the parts and closures.
- Close the fans and set the screws again, observing the safety procedures.

Important!

Run the maintenance and Operation Plan of ECOSS technical manual, carry out the conference every 30 days, this will increase the service life of ECOSS.

For more information, refer to our technical department.